

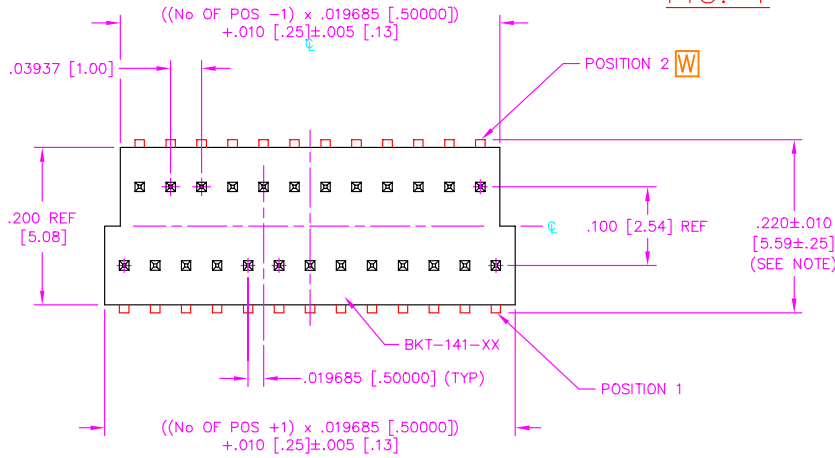
REV. X

NOTES:

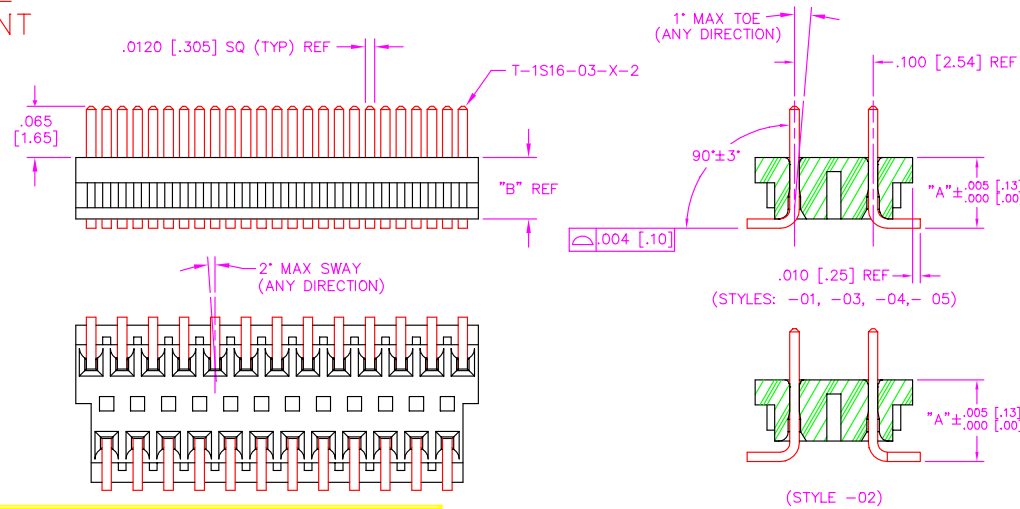
1. SHEAR TAILS TO DIMENSION AS SHOWN.
2. USE MPP-01 FOR LEAD STYLES -01 & -02. USE MPP-06 FOR STYLES -03, -04 & -05. (SEE FIGURE 4)

UNLESS OTHERWISE NOTED		TOLERANCES ARE:		TITLE:	DWG NO:
DIMENSIONS ARE IN INCHES		ONE PLACE DECIMALS ±.1[2.5]	THREE PLACE DECIMALS ±.005[.13]	1MM C.L. STAGGERED	BKT-1XX-XX-X-X-X
		TWO PLACE DECIMALS ±.01[.3]	FOUR PLACE DECIMALS ±.0020[.051]	SURFACE MOUNT TERMINAL	SHEET 1 OF 2
		ANGLES ± 3°		STRIP ASSEMBLY	

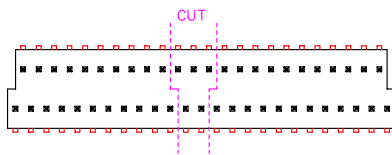
FIG. 1



DO NOT SCALE FROM THIS PRINT



CUT IN-PROCESS VIEW  
(FIVE POSITIONS WILL BE LOST FOR EVERY CUT MADE)



(DIFFERENT AS SHOWN, OTHERWISE SAME AS ABOVE)

STYLE	"A"	"B" REF	"C"	BOARD SPACE MATED W/ BKS	BODY USAGE
-01	.076 [1.93]	.064 [1.63]	.154 [3.91]	.163 [4.14]	BKT-141-01
-02	.090 [2.29]	.064 [1.63]	.168 [4.27]	.177 [4.50]	BKT-141-01
-03	.110 [2.79]	.098 [2.49]	.188 [4.78]	.197 [5.00]	BKT-141-03
-04	.149 [3.78]	.137 [3.48]	.227 [5.77]	.236 [6.00]	BKT-141-04
-05	.189 [4.80]	.177 [4.50]	.267 [6.78]	.276 [7.00]	BKT-141-05

BKT-1XX-XX-X-X-X

NO. OF POSITIONS  
-07 THRU -69  
(UNSHROUDED)  
-15 THRU -69  
(SHROUDED)

BODY SPEC  
SEE TABLE 1

PLATING  
-L: LIGHT SELECTIVE GOLD  
-F: FLASH SELECTIVE

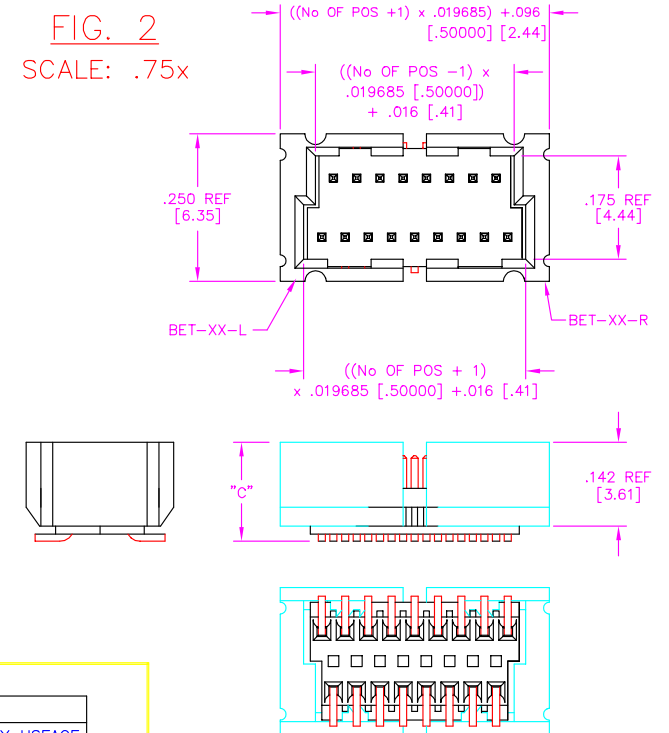
OPTIONS

- S: END SHROUDS (SEE FIG. 2)  
(N/A BELOW 15 POSITIONS)
- A: ALIGNMENT PINS  
(SEE FIG. 3- SHEET 2)  
(MINIMUM 11 POSITIONS)
- P: PICK & PLACE PAD  
(SEE FIG. 4- SHEET 2)  
(AVAILABLE ON POSITIONS  
-13 THRU -69)  
(SEE NOTE 2)
- TR: TAPE & REEL PACKAGING  
(SEE FIG. 6- SHEET 2)

STYLE

- V: VERTICAL

FIG. 2  
SCALE: .75x



**PROPRIETARY NOTE**  
THIS DOCUMENT CONTAINS INFORMATION CONFIDENTIAL AND PROPRIETARY TO SAMTEC INC. AND SHALL NOT BE REPRODUCED OR TRANSMITTED TO OTHER DOCUMENTS OR DISCLOSED TO OTHERS ON USPTO FOR ANY PURPOSE OTHER THAN THAT FOR WHICH IT WAS OBTAINED WITHOUT THE EXPRESSED WRITTEN CONSENT OF SAMTEC INC.

**samtec**

MISC\MKTG  
BKT-MKT

520 PARK EAST BLVD. NEW ALBANY, INDIANA 47150  
PHONE (812) 944-6733 P.O. BOX 1147  
CODE 55322

PLOT SCALE: 1 = .125 / DIMSCALE: .1

MADE BY: BRATCHER 3-28-95

BKT-1XX-XX-X-X-X  
SHEET 1 OF 2