

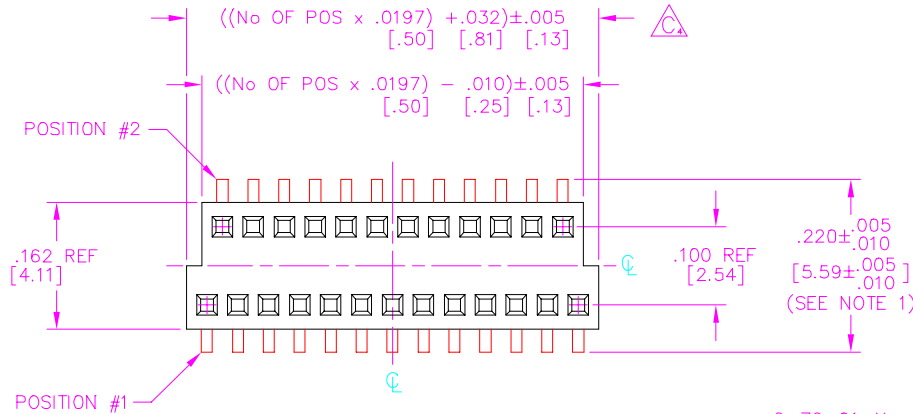
NOTE:

1. SHEAR TAILS TO DIMENSION SHOWN.
2.  $\Delta$  REPRESENTS CRITICAL DIMENSION FOR STATISTICAL PROCESS CONTROL.
3. DO NOT CHECK, FOR CUSTOMER REFERENCE ONLY.

DIMENSIONS ARE IN INCHES [MILLIMETERS ARE IN BRACKETS]		TOLERANCES ARE:	
ONE PLACE DECIMALS $\pm .1$ [2.54]	THREE PLACE DECIMALS $\pm .005$ [.127]	ANGLES	$\pm 2^\circ$
TWO PLACE DECIMALS $\pm .01$ [.25]	FOUR PLACE DECIMALS $\pm .0020$ [.051]		

TITLE: STAGGERED 1MM C.L. SURFACE MOUNT SOCKET

DWG NO: BKS-1XX-XX-X-X-X  
SHEET 1 OF 2



BKS-1XX-XX-X-X-X

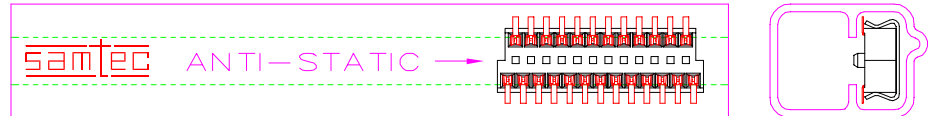
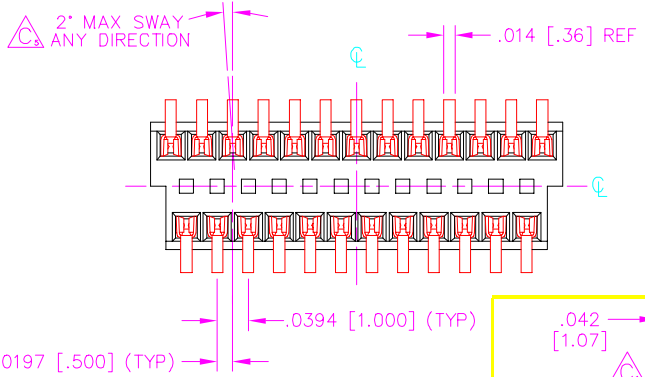
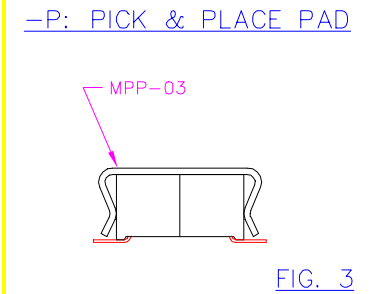
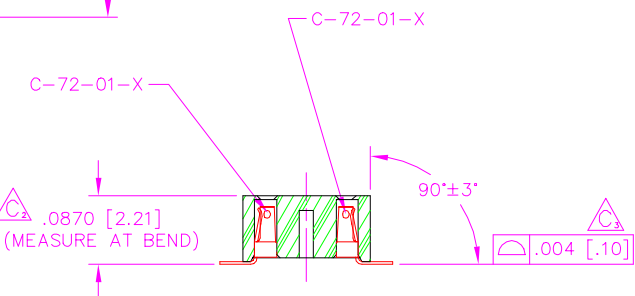
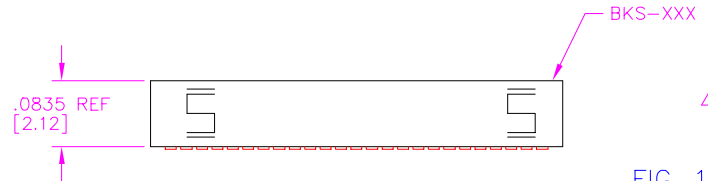
No. OF POSITIONS  
-07 THRU -69

BODY SPEC  
-01: .087 OVERALL HEIGHT [2.21]

PLATING SPEC  
-L: LIGHT SELECTIVE GOLD  
-F: FLASH SELECTIVE

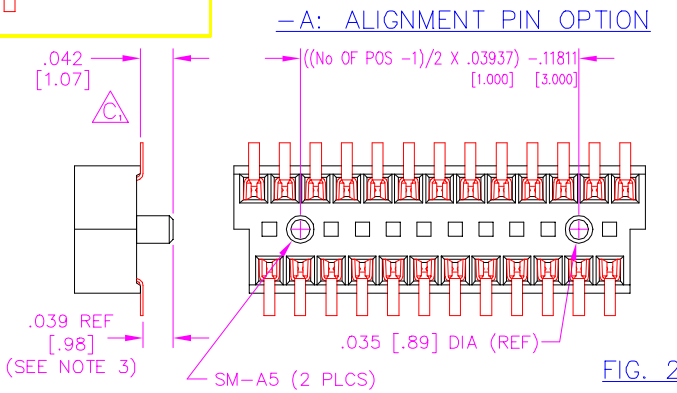
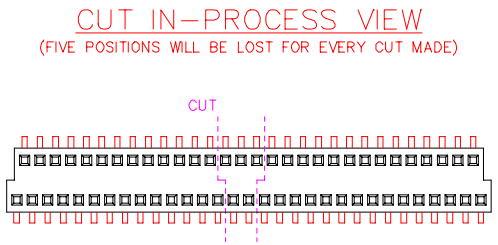
OPTION  
-A: ALIGNMENT PIN (SEE FIG. 2) (MINIMUM 11 POSITIONS)  
-TR: TAPE & REEL PACKAGING  
-P: PICK & PLACE PAD (SEE FIG. 3) (AVAILABLE ON POSITIONS -13 THRU -69 ONLY)

STYLE  
-V: VERTICAL



Do not scale from this print

**PROPRIETARY NOTE**  
THIS DOCUMENT CONTAINS INFORMATION CONFIDENTIAL AND PROPRIETARY TO SAMTEC INC. AND SHALL NOT BE REPRODUCED OR TRANSFERRED TO OTHER DOCUMENTS OR DISCLOSED TO OTHERS OR USED FOR ANY PURPOSE OTHER THAN THAT FOR WHICH IT WAS OBTAINED WITHOUT THE EXPRESSED WRITTEN CONSENT OF SAMTEC INC.



PACKAGING VIEW  
(SCALE: .5X)  
NOTE: PARTS ARE TO BE PACKAGED IN A PT-1-24-04-36 TUBE WITH TWO TP-24-02 PLUGS PER TUBE.

PLOT SCALE: 1=.125

**samtec**

810 PROGRESS BLVD. NEW ALBANY, INDIANA 47150  
PHONE (812) 944-6733 P.O. BOX 1147  
CODE 55322

EXISPROD\ASSEMBLY\1MM BKS-ASM

MADE BY: BRATCHER 3-27-95

BKS-1XX-XX-X-X-X