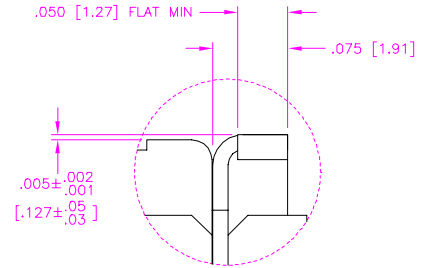
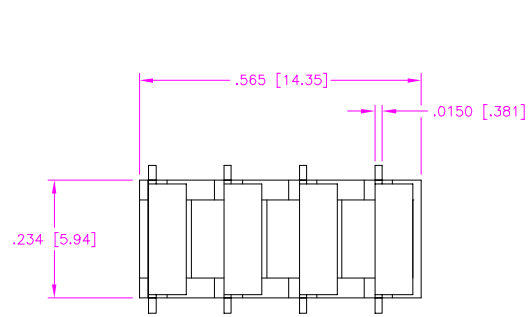


REV B

NOTES:
1) LEADS AT FLUSH TO .002 ABOVE A LINE MADE BY THE BOTTOM OF THE BODY.

UNLESS OTHERWISE NOTED		TITLE:	DWG NO:
DIMENSIONS ARE IN INCHES		BATTERY CONNECTOR ASSEMBLY	BCA-104-01-L-S-A
TOLERANCES ARE:			
ONE PLACE DECIMALS $\pm .1[2.5]$	THREE PLACE DECIMALS $\pm .002[.05]$	ANGLES $\pm 2^\circ$	
TWO PLACE DECIMALS $\pm .01[.3]$	FOUR PLACE DECIMALS $\pm .0010[.025]$		



DETAIL 'A'
SCALE: 2X

BCA-104-01-L-S-A

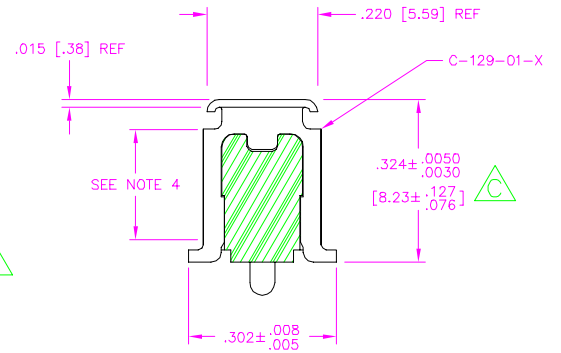
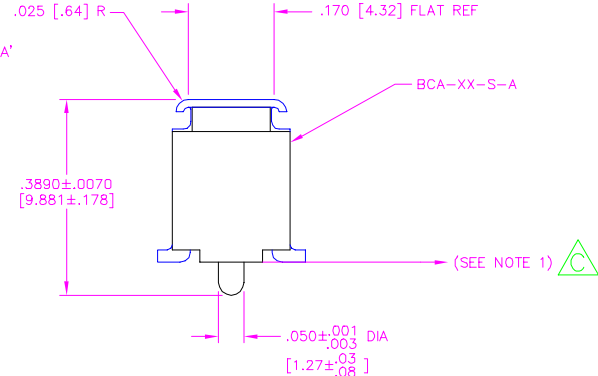
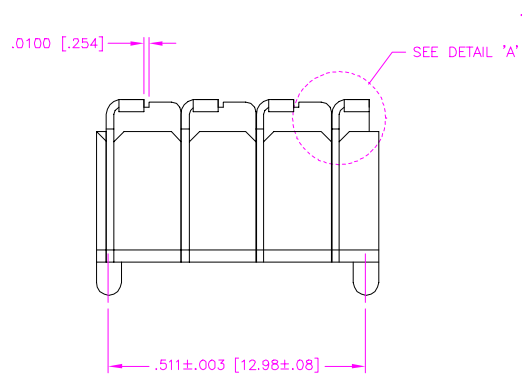
No. OF POSITIONS -04

LEAD STYLE -01: C-129-01-X

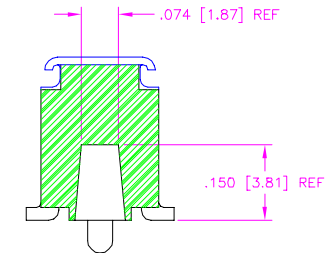
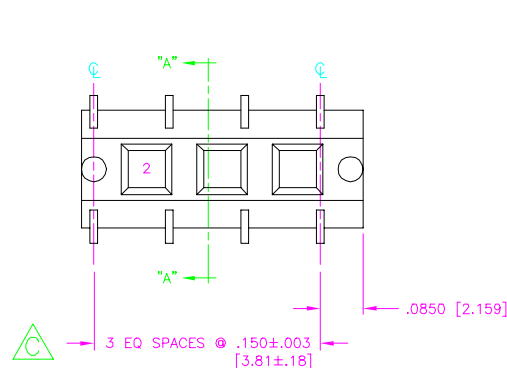
ALIGNMENT PIN -A: ALIGNMENT PINS

ROW SPECIFICATION -S: SINGLE ROW

PLATING SPECIFICATIONS -L: LIGHT SELECTIVE (USE C-129-01-L)



(BREAKOUT VIEW FOR CLARIFICATION)



SECTION "A-A"

PACKAGING VIEW

TUBE: PT-1-24-01-69
PLUG: TP-03

PROPRIETARY NOTE
THIS DOCUMENT CONTAINS INFORMATION CONFIDENTIAL AND PROPRIETARY TO SAMTEC INC. AND SHALL NOT BE REPRODUCED OR TRANSFERRED TO OTHER DOCUMENTS OR DISCLOSED TO OTHERS OR USED FOR ANY PURPOSE OTHER THAN THAT FOR WHICH IT WAS OBTAINED WITHOUT THE EXPRESSED WRITTEN CONSENT OF SAMTEC INC.

DO NOT SCALE FROM THIS PRINT

MATERIAL:
INSULATOR:
VECTRA E1301, COLOR: BLACK
CONTACT:
BRASS, FULL HARD CDA 260

PLOT SCALE: .125/ DIMSCALE: .150

samtec MISC/MKTG BCA-ASM

810 PROGRESS BLVD. NEW ALBANY, INDIANA 47150
PHONE (812) 944-6733 P.O. BOX 1147
CODE 55322

MADE BY: J. FERRY 08-22-98

BCA-104-01-L-S-A
SHEET 1 OF 1