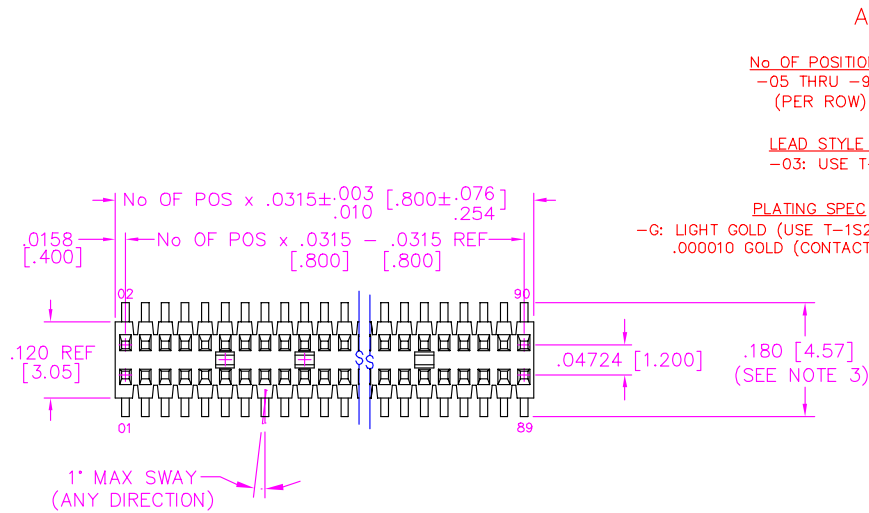


DIMENSIONS ARE IN INCHES		UNLESS OTHERWISE NOTED	TOLERANCES ARE:	TITLE:	DWG NO:
ONE PLACE DECIMALS ±.1[2.5]	THREE PLACE DECIMALS ±.005[.13]		ANGLES ± 2°	.8MM x 1.2MM C.L. TERMINAL STRIP ASSM	AW-XX-03-X-D-XXX-XXX-XX
TWO PLACE DECIMALS ±.01[.3]	FOUR PLACE DECIMALS ±.0020[.051]				SHEET 1 OF 2



AW-XX-03-X-D-XXX-XXX-XX

No OF POSITIONS
-05 THRU -90 (PER ROW)

LEAD STYLE SPEC
-03: USE T-1S29-02-X

PLATING SPEC
-G: LIGHT GOLD (USE T-1S29-02-G)
.000010 GOLD (CONTACT AREA & TAIL)

OPTIONS
-P: PICK & PLACE PAD (8 POS MIN, SEE FIG. 2, SHEET 2)
-ES: END SHROUD (SEE FIG. 4 SHEET 2) (USE FTE-ES, 11 POS MIN) (SEE NOTE 5)
-EP: END SHROUD GUIDE POST (SEE FIG. 4 SHEET 2) (USE FTE-EP, 11 POS MIN) (SEE NOTE 5)
-A: ALIGNMENT PIN OPTION
MOLDED (04-90 POSITIONS) (SEE FIG 5 SHEET 2) (MOLDED NOT AVAILABLE ON ALL POS)
STAKED (08-90 POSITIONS) (SEE FIG 6 SHEET 2) (SEE NOTE 6)
-TR: TAPE & REEL OPTION (84 POSITIONS MAX)

POST HEIGHT
.075 [1.91] MINIMUM
POST + SPACE = .305 [7.75] MAX

SPACE OPTION
"A": .230 [5.84] MAX w/ .075 [1.91] POST
.122 [3.09] MIN

ROW SPEC
-D: DOUBLE ROW VERTICAL (SEE NOTE 4)

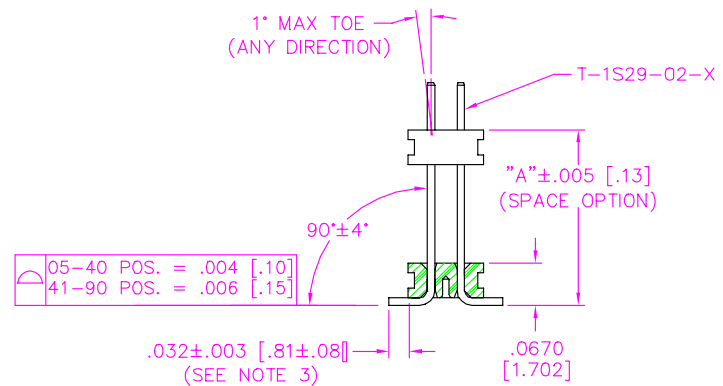
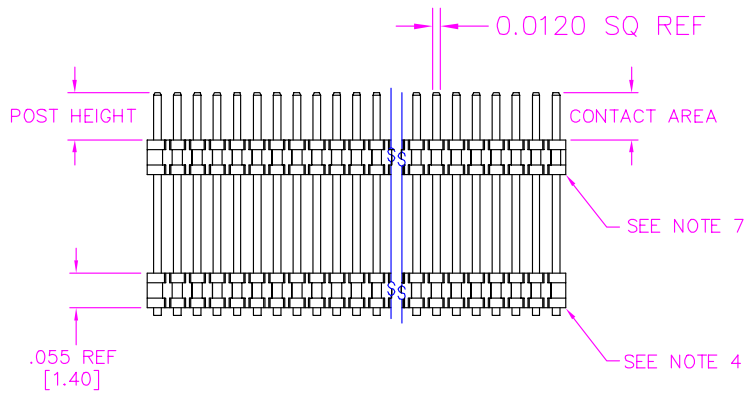


FIG. 1

NOTES:

1. COPLANARITY TO BE WITHIN .004.
2. MINIMUM PUSHOUT FORCE: .5 LBF.
3. TAILS TO BE SHEARED TO DIMENSION SHOWN.
4. BOTTOM BODY USE FTE-90-D FOR HANDFILL, USE AW-90-D-A FOR AUTOMATION.
5. FOR USE WITH .075 [1.91] POST HEIGHT ONLY
6. FOR USE WITH BOARD STACKS BETWEEN .205 AND .230 ONLY.
7. USE FTE-90-D-A FOR TOP BODY (PLACE BODY SO THAT ALIGNMENT PIN CORES ARE NOT VISIBLE).

Do not scale from this print

PROPRIETARY NOTE
THIS DOCUMENT CONTAINS INFORMATION CONFIDENTIAL AND PROPRIETARY TO SAMTEC, INC. AND SHALL NOT BE REPRODUCED OR TRANSMITTED TO OTHER DOCUMENTS OR INCORPORATED INTO OTHERS OR USED FOR ANY PURPOSE OTHER THAN THAT FOR WHICH IT WAS OBTAINED WITHOUT THE EXPRESSED WRITTEN CONSENT OF SAMTEC, INC.

PLOT SCALE: 1 = .182

MATERIAL:
BODY: VECTRA E130i
COLOR: BLACK (TOP)
NATURAL (BOTTOM)

TERMINAL:
PHOS BRONZE

samtec

MISC/MKTG
AW-MKT

520 PARK EAST BLVD. NEW ALBANY, INDIANA 47150
PHONE (812) 944-6733 P.O. BOX 1147
CODE 55322

MADE BY: PURVIS 12-14-95

AW-XX-03-X-D-XXX-XXX-XX
SHEET 1 OF 2