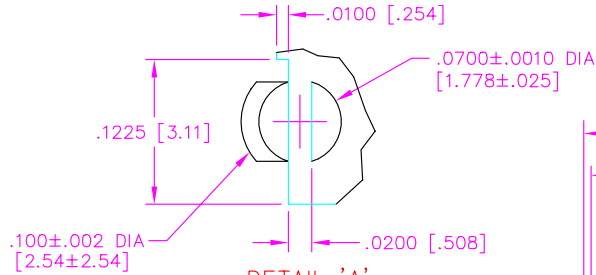


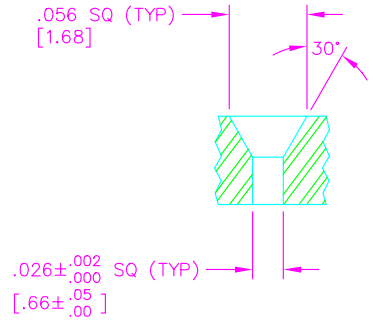
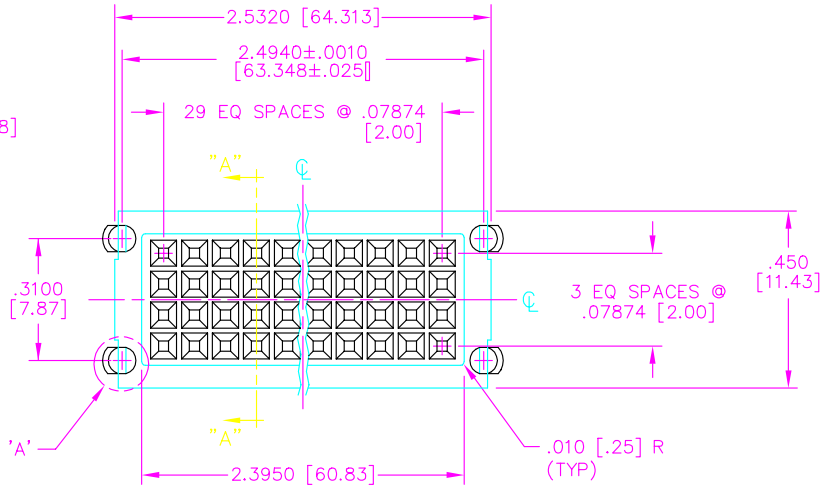
DIMENSIONS ARE IN INCHES		UNLESS OTHERWISE NOTED	TOLERANCES ARE:
ONE PLACE DECIMALS ±.1[2.5]	THREE PLACE DECIMALS ± .005[.127]	ANGLES	± 2°
TWO PLACE DECIMALS ± .01[.25]	FOUR PLACE DECIMALS ± .0020[.051]		

TITLE: ELEVATED SQT ASSM SHROUD

DWG NO: ATS-30-Q
SHEET 1 OF 1

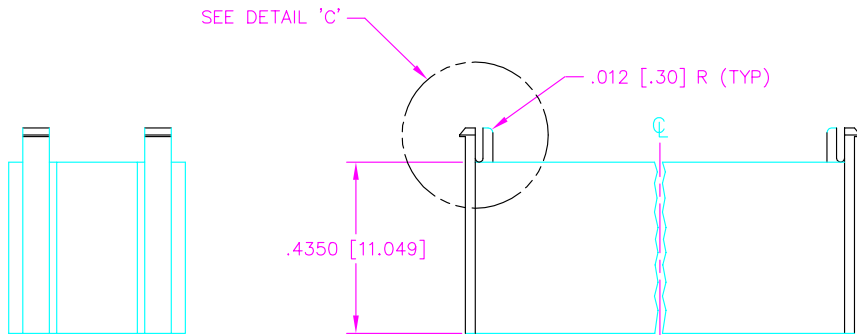


DETAIL 'A'
SCALE: 3x
(4 PLCS)

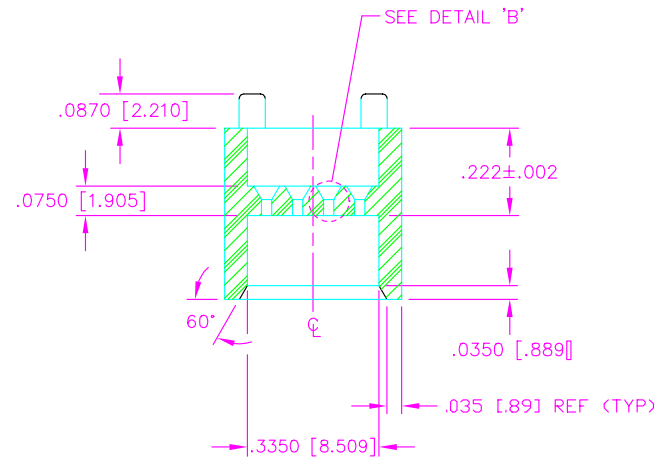


DETAIL 'B'
SCALE: 3x

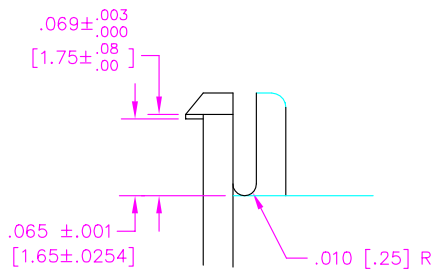
DO NOT SCALE FROM THIS PRINT



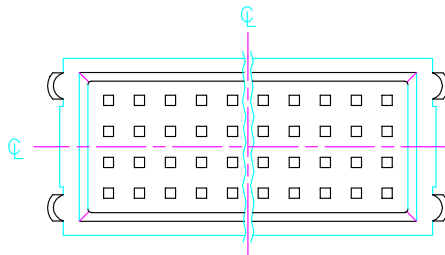
SEE DETAIL 'C'



SECT. "A-A"



DETAIL 'C'
SCALE: 3x
(4 PLCS)



PLOT SCALE: 1=-.25

MATERIAL:
LCP VECTRA E-130i
COLOR: BLACK
MAX BOW ALLOWED: .005 [.13]
MAX FLASH ALLOWED: .005 [.13]
25% MAX REGRIND

MISC\MKTG
ATS-MKT

520 PARK EAST BLVD. NEW ALBANY, INDIANA 47150
PHONE (812) 944-6733 P.O. BOX 1147
CODE 55322

MADE BY: BRATCHER 9-6-95

ATS-30-Q
SHEET 1 OF 1

PROPRIETARY NOTE
THIS DOCUMENT CONTAINS INFORMATION CONFIDENTIAL AND PROPRIETARY TO SAMTEC INC. AND SHALL NOT BE REPRODUCED OR TRANSFERRED TO OTHER DOCUMENTS OR DISCLOSED TO OTHERS OR USED FOR ANY PURPOSE OTHER THAN THAT FOR WHICH IT WAS OBTAINED WITHOUT THE EXPRESSED WRITTEN CONSENT OF SAMTEC INC.