

DC Power Adapter 120 VAC

The DC Power Adapter 120 VAC is within an enclosure for indoor use and must be connected to a 120 VAC standard outlet. It supplies power to analog and digital circuits through a 6-foot electrical cord with a 5-pin connector ready to plug. Its coupling components allow connected products to receive and transmit CEBus and Home Plug & Play packets over the power line. The adapter is protected against Electro Static Discharge (ESD) and fast transient response occurring over the network.



Picture may differ from the final product

Features

- Compact integration of unregulated supply and power line coupling interface
- 20 V and 10 V unregulated output
- Semi-permanently secured unit into a wall receptacle with clamp tie with mounting hole
- 3-pole (grounded) 120 VAC plug configuration
- Black
- 5-foot cable on the AC side and 6-foot cable on the DC side
- Enclosure Flame Rating UL94V-0; the material is a flame retardant ABS plastic
- UL, CSA certified and CE compliant
- Operating temperature range -40°C to $+50^{\circ}\text{C}$

DC Power Adapter 120 VAC Block Diagram

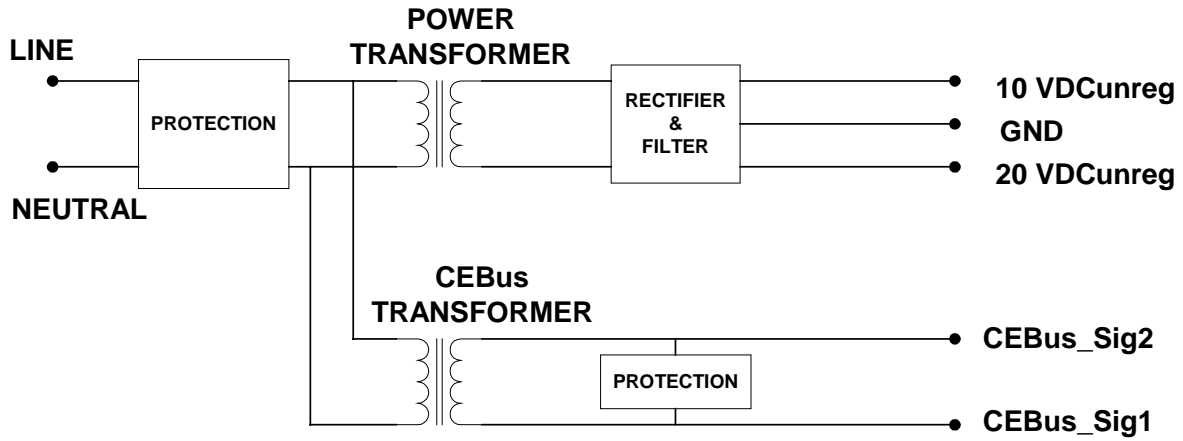


Figure 1 DC Power Adapter 120 VAC Block Diagram

Cable Description

Table 1 DC Power Adapter 120 VAC Connector Description

Pin	Sym	Description
1	+10 VDC unreg	Supply +10 VDC unregulated
2	GND	Ground Reference
3	+20 VDC unreg	Supply +20 VDC unregulated
4	CEBus_Sig2	CEBus Signal 2
5	CEBus_Sig1	CEBus Signal 1

Connector: JST XHP-5

For more details: <http://www.jst-mfg.com/pdfE/EXH.pdf>

Electrical Specifications

Absolute Maximum Ratings¹

Table 2 DC Power Adapter 120 VAC Maximum Ratings (for resistive load)

Parameter	Sym	Min	Typ	Max	Units
Supply Voltage – Input Voltage	V _{in}	TBD	115	TBD	VAC
Total Output Power	P _{out}		9		W
Max. Output Current ² for 20 VDC	I		440		mA
Max. Output Current ³ for 10 VDC	I		220		mA
Storage Temperature	T _{STG}	-40	25	+125	°C

¹ Exceeding these values may cause permanent damage. Functional operation under these conditions is not implied.

² When there is no current on the 10 VDC output.

³ When there is no current on the 20 VDC output

Recommended Operating Conditions

Table 3 DC Power Adapter 120 VAC Recommended Operating Conditions

Parameter	Sym	Min	Typ	Max	Units
Supply Voltage – Input Voltage	V _{DD}		115		V
Operating Temperature	T _O	-40	25	+50	°C

$$\text{Total Output Power} = \text{Max } 9\text{W} \geq P(\text{Vunreg}) + (2 \times P(1/2\text{Vunreg}))$$

Mechanical Specifications

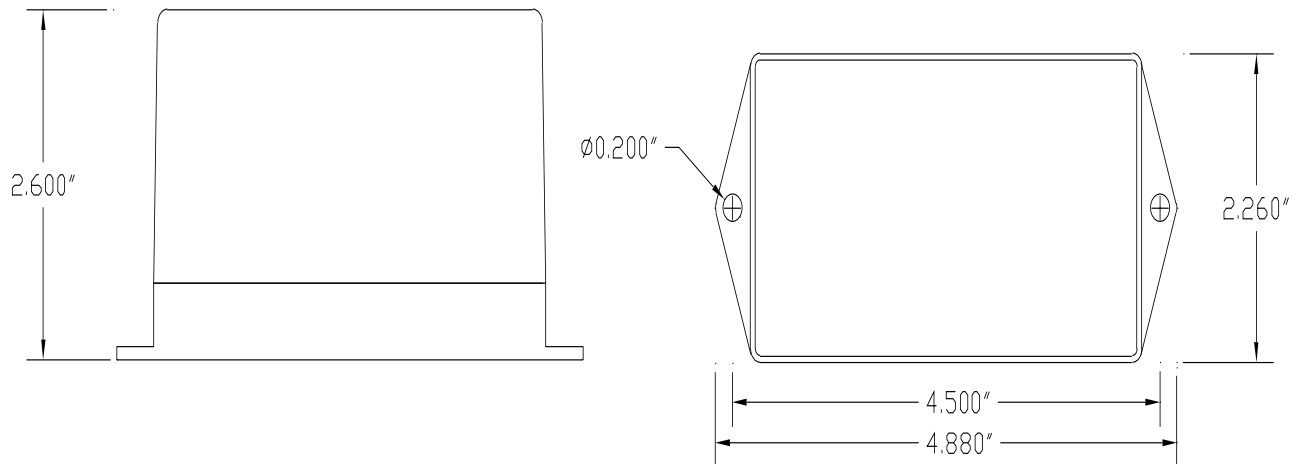


Figure 2 DC Power Adapter 120 VAC Mechanical Specifications

Warning

- The adapter is designed for indoor use only.
- Do not use the adapter with an outlet or extension cord that does not allow both prongs to be fully inserted.
- Unplug the adapter during a lightning storm.

Ordering Information

For ordering this product, you can either write to sales@domosys.com or call (418) 681-8022 and ask for a sales representative. Make sure to mention the following part number and description when placing your order.

Part Number	Description
PWRA-120-01B	DC Power Adapter 120 VAC-10/20VDC Unreg Model P-ACA2-1000-01

WARRANTY

LIMITATION OF LIABILITY

To the maximum extent permitted by applicable law, in no event will Domosys be liable to the Customer or any third party for any indirect, special, consequential, incidental or exemplary damages whatsoever, including but not limited to loss of revenue or profit, lost or damaged data, business interruption or any other pecuniary loss whether based in contract, tort, or other cause of action, even if Domosys has been advised of the possibility of such damages, except in relation to gross negligence or willful breach of this agreement by Domosys. No Domosys agent, representative or dealer is authorized to extend, modify or add to this warranty on behalf of Domosys. Nothing in this agreement shall imply Domosys' responsibility for death or personal injury caused by Domosys or its employees or agents. The total liability of Domosys for damages, whether in contract or tort, under or related in any way to this agreement shall be limited to the price actually paid by the Customer to Domosys or, if no fees were paid, according to Domosys' list price for the DC Power Adapter covered under this agreement. The exclusion of implied warranties and/or the limitation of liability may not be permitted in some jurisdictions and some or all of these exclusions may not apply.

DISCLAIMER

Except for the foregoing warranty, the DC Power Adapter is provided "as is" without warranty or condition of any kind. Domosys disclaims all warranties or conditions, written or oral, statutory, express or implied, including but not limited to the implied warranty or merchantable quality or fitness for a particular purpose, title and non-infringement of rights of any other person. Domosys does not warrant that the DC Power Adapter will meet the Customer's requirements or that operation of one of these products will be uninterrupted or error-free.

The DC Power Adapter is not fault tolerant and is not designed, manufactured or intended for use or resale as on-line control equipment in hazardous environment requiring fail-safe performance, and in which the failure of the DC Power Adapter could lead directly to death, personal injury or severe physical or environmental damage, including where the proposed use by the Customer is regarded as against the rules of the art or as a Critical application (hereafter globally referred to as "high-risk activities"). Accordingly, Domosys specifically disclaims any express or implied warranty of fitness for high-risk activities.

THIRTY-DAY MONEY BACK GUARANTEE

If the Customer wants to return the product for any reasons, he may do so, together with his Return Merchandise Authorization form (RMA), to Domosys, postage prepaid, for a full refund at any time during the thirty (30) day period following the delivery of the product to the Customer.

ONE YEAR LIMITED WARRANTY

Domosys warrants that its products will be free from defects in materials and workmanship for a period of one (1) year from the date of delivery of the product to the Customer. The Customer's sole remedy in the event of a breach of this warranty will be that Domosys will, at its option, replace any defective product returned to Domosys within the warranty period or refund the money the Customer paid for the product. Domosys does not warrant that the product will meet the Customer's requirements.

This warranty does not cover damage due to:

- i. Usage not in accordance with Domosys' instructions
- ii. Servicing not authorized by Domosys Corporation or
- iii. A force majeure or external cause, including, but not limited to, accidents, abuse, misuse, and problems with electrical power

For warranty service, the Customer must notify the Domosys customer service within the warranty period. If warranty service is required, Domosys will issue a Return Merchandise Authorization Number. The product must be returned to Domosys in its original packaging or equivalent with prepaid shipping charges. The Customer must insure the shipment or accept the risk of loss or damage during the shipment. Domosys will repair or replace products returned to Domosys' facility. Domosys owns all parts removed from a repaired product. If Domosys repairs a product, its warranty is not extended. If Domosys replaces a product, the replacement product is warranted for the remainder of the original term or 60 days, whichever is longer. Domosys will ship freight collect the repaired or replacement product to the Customer. The above warranty is exclusive and in lieu of all other warranties, whether express or implied, including the implied warranties of merchantability, fitness for a particular purpose and non-infringement. Domosys' responsibility for malfunctions and defects in hardware is limited by the terms of this document. The laws of the Province of Quebec and Canada will govern this Warranty.

GENERAL

All Domosys product names are trademarks or registered trademarks of Domosys. Other brand and product names are trademarks or registered trademarks of their respective holders. For any question concerning this Warranty, or to contact Domosys for any reason, you should write to:

Domosys Corporation
1995, rue Jean-Talon Sud, suite 202
Sainte-Foy, Quebec
G1N 4H9 Canada
Tel: (418) 681-8022
Fax: (418) 681-8015
E-mail: support@domosys.com
www.domosys.com

Domosys products and accompanying documentation are protected by Canadian copyright law and also by International Treaty provisions. Any use of Domosys products in violation of copyright laws or the terms of this agreement will be prosecuted to the best of our ability.